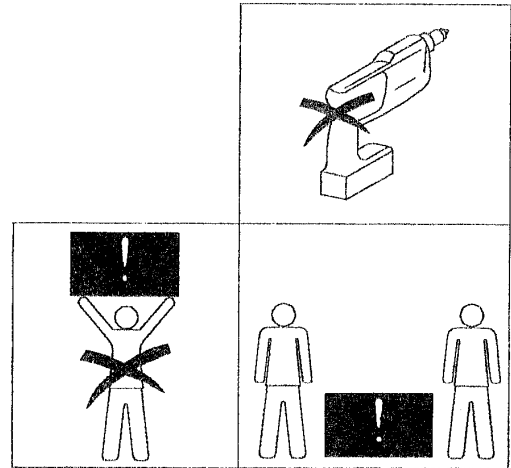
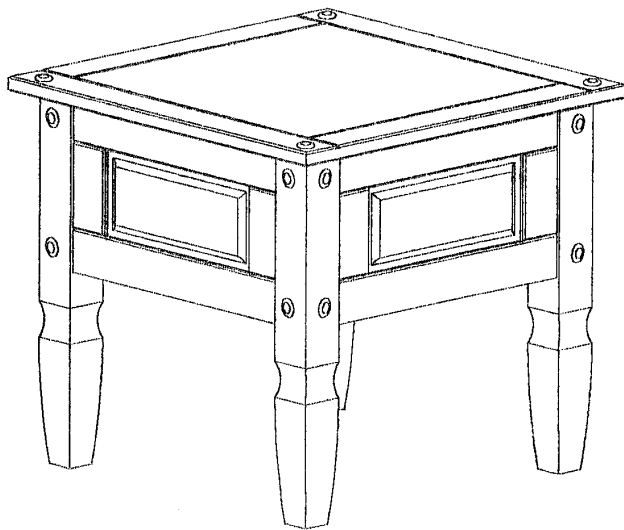



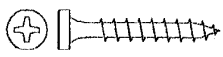
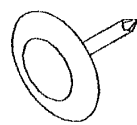
CORONA LAMP TABLE

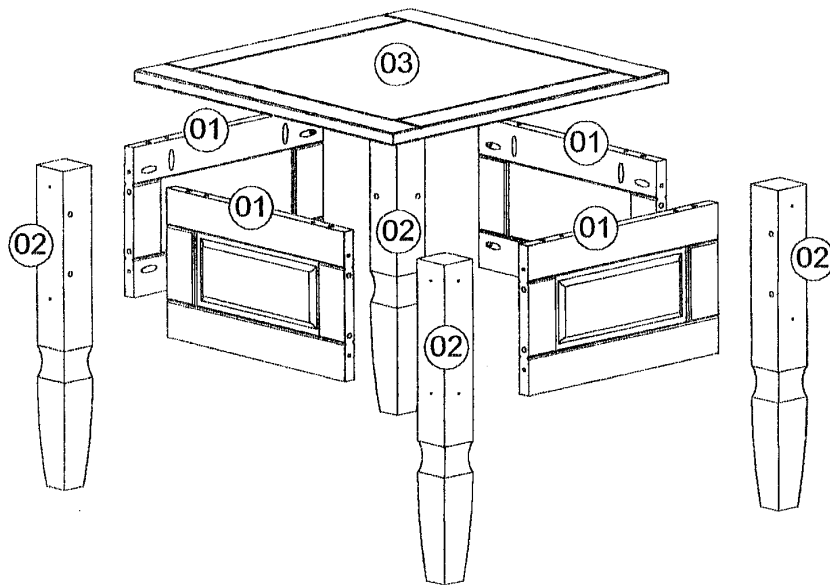


- * Use of power tool to assemble this product will invalidate any claim and damage this product making unsave !!!
- * Please assemble on a clean soft surface to avoid damage.



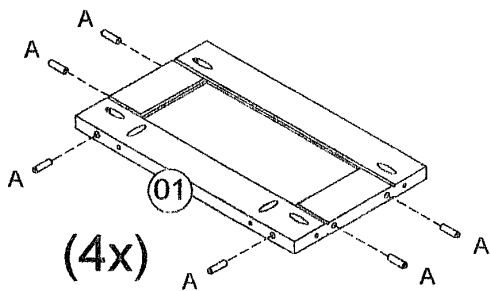
- * Please check contents and read instruction before commencing assembly.
- * Assemble this article following the enclosed instruction carefully.
- * Please take care to avoid damaging panels during assembly.

	HARDWARE	NO. PER TABLE	NO. PER SET
A	 8 x 30	24	48
B	 3,5 x 30	24	48
C		20	40



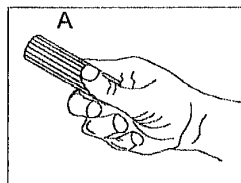
Part		No. Per Table	No. Per Set		2,5m x 3m
1	Side panel	04	08		
2	Foot	04	08		
3	Top panel	01	02		

01

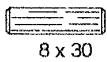


(4x)

* Please assemble on a clean soft surface to avoid damage.



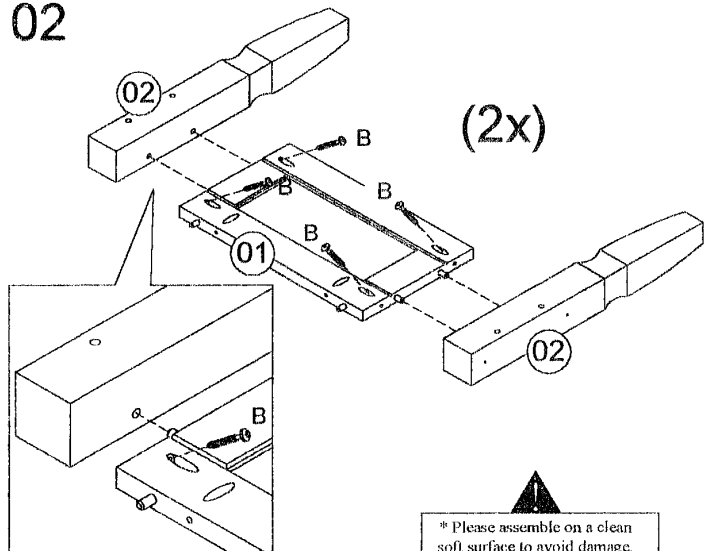
A



8 x 30

24

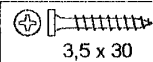
02



(2x)

* Please assemble on a clean soft surface to avoid damage.

B

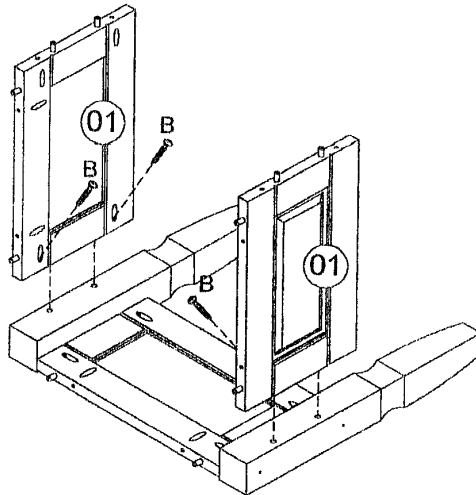


3,5 x 30

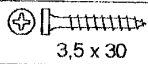
08

03

* Please assemble on a clean soft surface to avoid damage.

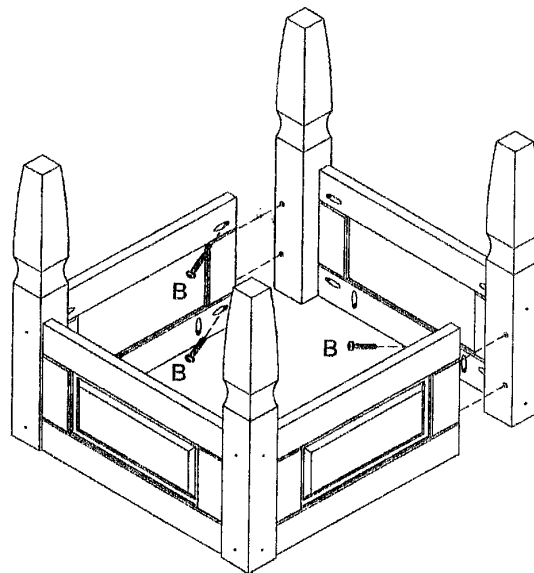


B

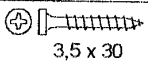


04

04



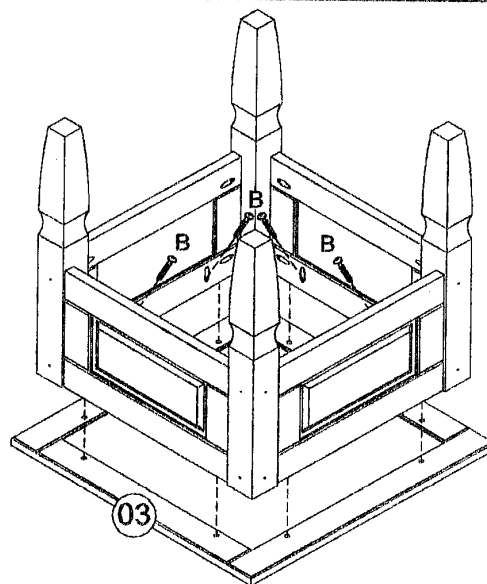
B



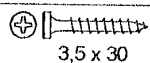
04

05

* Please assemble on a clean soft surface to avoid damage.

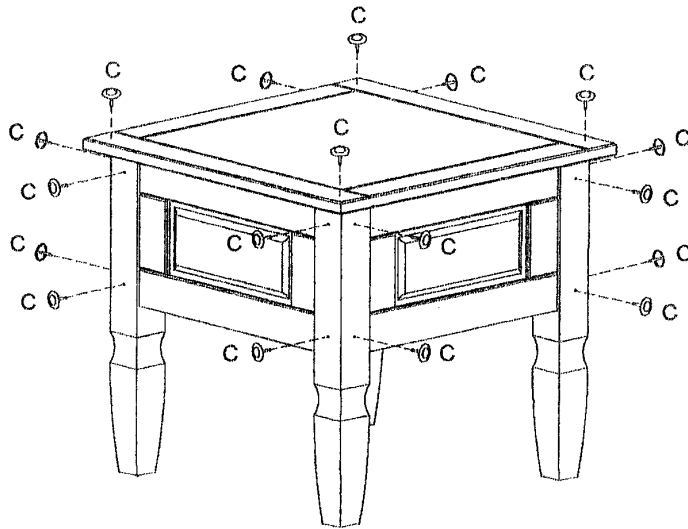


B



08

06



READ AND KEEP SAFE
CARE AND MAINTENANCE OF CORONA RANGE

To enjoy your new furniture for many years to come please follow our advice on how to look after it.
Do's and Don'ts.

Do not place this product next to a radiator or in direct sunlight. Wood is a natural product and will expand if subjected to damp and will shrink and may crack if subjected to heat. This product is made of pine, which is a timber that is common for furniture, but susceptible to temperature changes. With pine furniture it is recommended that an even room temperature be maintained with no sudden temperature fluctuations, up or down.

Do not place HOT or CHILLED items directly on to the surface, use a place mat or marking will occur.

For general cleaning use a duster or damp cloth (ALMOST DRY) not wet.

Do not use soap and water or detergents of any kind on this product for cleaning. To maintain the characteristic finish on this furniture, do not use aerosol sprays or any polish a natural stain and finish on this furniture and will react to most manmade products.

It will from time to time require the surface re-treating again to maintain its character. You can easily do this yourself using block wax (unperfumed), rubbing it over whole item, following the manufactures instruction. After treating your furniture, you may notice it is slightly more wax than previously. This is normal because wood is a natural product that breathers and absorbs depending on room temperature.

The use of any cleaning materials other than those recommended could damage the surface and will invalidate any claim.

From time to time it may be necessary to tighten fittings. This is normal and regular inspections should be carried out.

Do not place furniture into a wet or damp floor as staining may occur to your floor.